

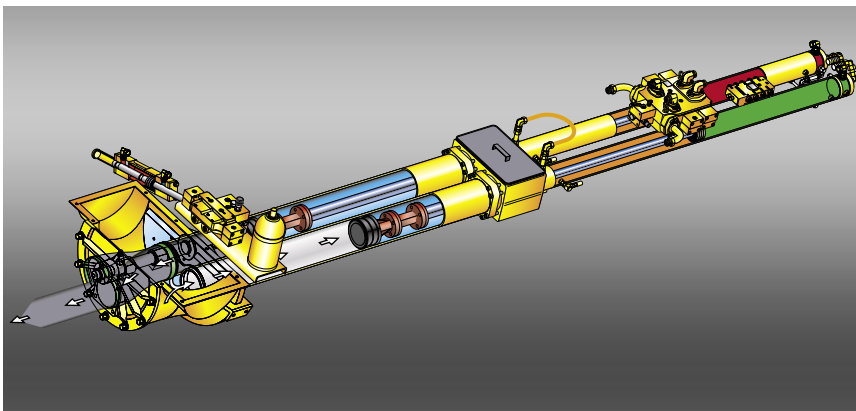
S 58 SX / S 61 SX

Truck-Mounted concrete pump
with 4-section placing boom



HIGH UTILIZATION...BY DESIGN

More than a long boom, a balanced approach to profitable pumping.



This open loop **Generation 3** all-hydraulic concrete pump sets the standard for fuel-efficiency, reliability and performance. Twin circuit hydraulics combine with the longest stroking pumping cylinders in the industry for a smooth, continuous flow of concrete which also translates to longer boom life. **Big Rock Valve** is designed to pump the harshest mixes and provide the lowest per yard operating costs.



Patented **Vector Controls** allow two-way communication between pump and operator. Critical real-time operating data is displayed at the remote box and stored in the controller for easy retrieval.



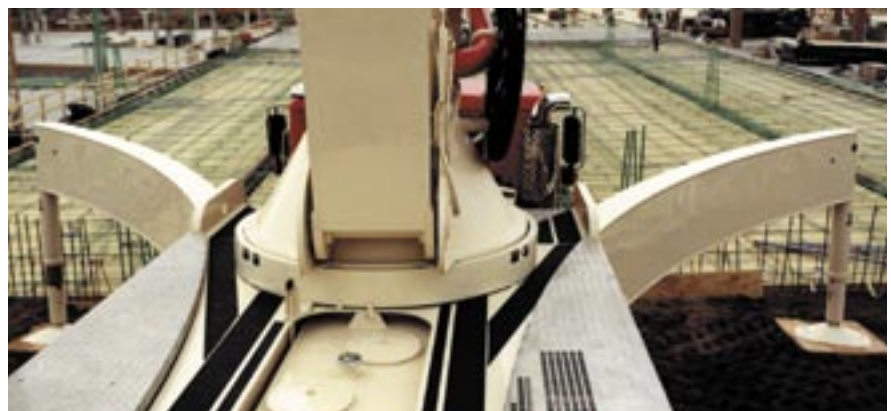
So much rides on your long boom investment so choose machines that have proven themselves to be so versatile and maneuverable that you can use them everyday. It is this balance of boom utilization, compact set-up, nimble handling and reliable pumping that makes the S 58 SX or S 61 SX the most popular long booms on the market. Longer booms will come and go, but the Schwing long booms are designed for long term use and high trade-in value because of volume manufacturing of a solid design.

Schwing's Overhead Roll and Fold™ Boom design let's your operator unfold in the smallest space and fully utilize the 197'2" (188' S 58 SX) vertical reach. The unique 180-degree articulation of the main section allows best deployment of the other three sections on mid-rise structures, bridge work and commercial projects. And the long, slow-stroking action of the Generation 3 pump translates to fewer and smoother boom reactions for longer boom life, less maintenance and highest return on investment.

Profitable pumping means more than just maximum boom reach, it also means ease of pump set-up with Super X outriggers and ease of maneuvering on city streets and job sites with rear steer technology. By scoring top honors in utilization, the Schwing long booms have also won the endorsement of professional contractors who recognize that balanced performance is the key to getting concrete pumped at a profit.



The SRS rear steer system is an engineered design that utilizes a mechanically linked, hydraulically assisted solution for improved reliability and maneuverability.



Super X outriggers are a Schwing exclusive providing maximum stability with the smallest footprint. These telescopic, single-stage outriggers set-up fast and don't extend in front of the cab for maximum horizontal boom reach.

Only one manufacturer can supply the Schwing experience.

Thousands of our customers form a backdrop of success that you can join by letting us spec the right piece of equipment for your needs. Six company stores with technicians and parts placed strategically across the country provide service expertise as close as your phone. And a select group of knowledgeable dealers provides another layer of invaluable experience. You and your staff will be welcomed into our dedicated training facility to learn how to extract the maximum profitability from your Schwing. And your investment is backed by the exclusive Green Shield warranty that can be extended to an industry-leading three years.

Generations of successful owners have chosen the Schwing experience. As a third generation family-owned company we understand how important quality equipment is to your business and how important your business is to us.



More than 400,000 square feet are devoted to producing the highest quality concrete equipment at our [White Bear, Minnesota plant](#). From close inspection of incoming materials to forming our products with the latest robotic welding techniques, Schwing takes craftsmanship to the highest standards. Our state-of-the-art paint facility produces finished products you will be proud to put your name on. In addition, a vast inventory of parts are on hand to keep your Schwing product running at maximum efficiency. Please schedule a visit to this modern facility located minutes north of Minneapolis/St.Paul to see our long-term commitment to the market.

SPECIFICATIONS

Pump Kit on S 58 SX / S 61 SX

2525H-6 120/85 MPS U.S. Metric

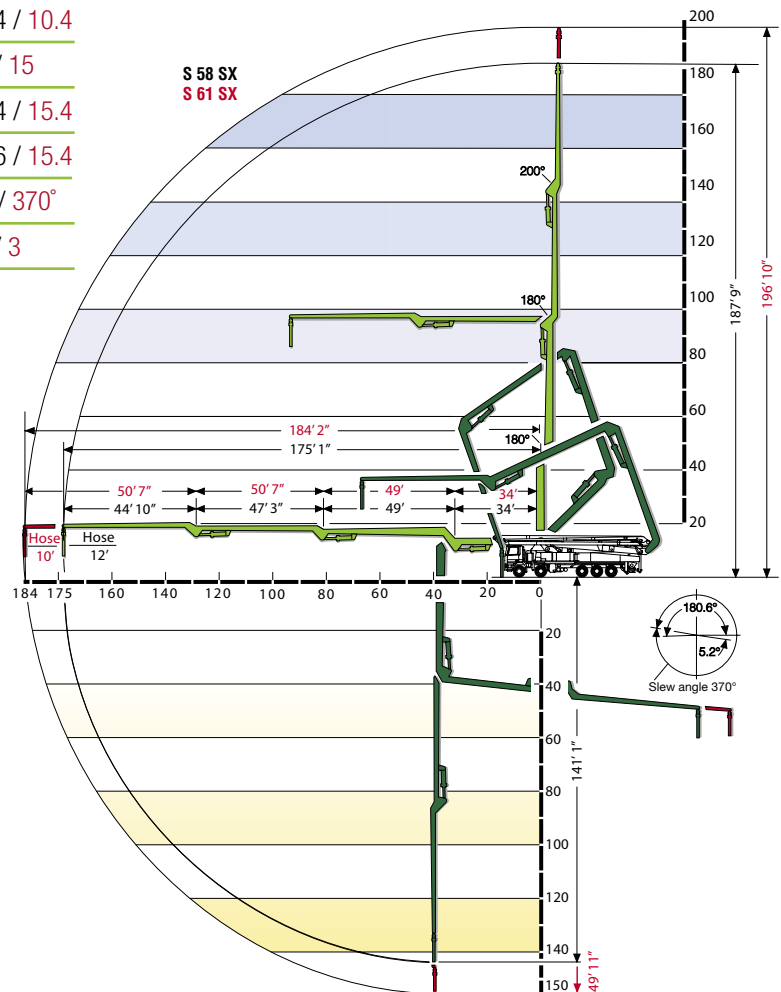
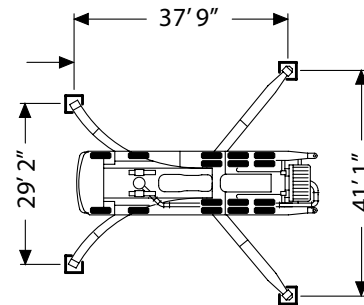
Theor. Concrete Output Per Hour (cubic yards - cubic meters)	213	163
Maximum Pressure on Concrete (psi - bar)	1169	80
Maximum Strokes Per Minute	22	22
Pump Cylinder Diameter (in. - mm)	10	250
Pump Cylinder Stroke Length (in. - mm)	98	2500
Differential Cylinder Size (in. - mm)	4.7	120
Maximum Aggregate Size (in. - mm)	2.5	63.5

Boom Specifications

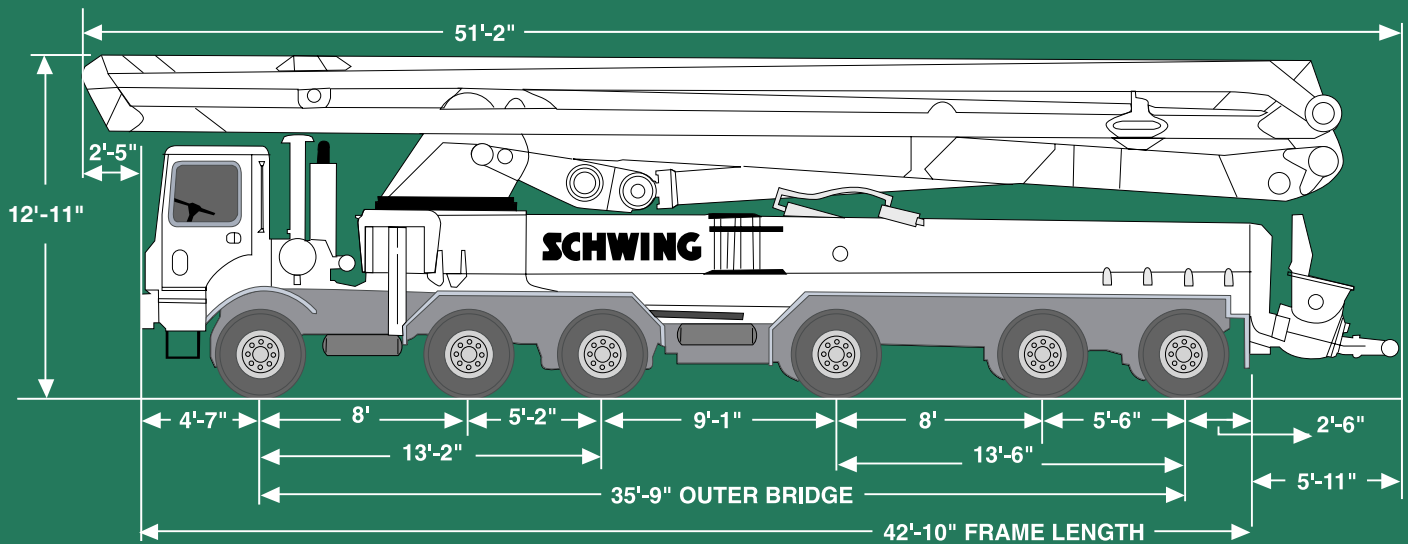
S 58 SX / S 61 SX U.S. Metric

Pipeline Diameter (in. - mm)	5 / 4.5	125 / 112
Vertical Reach (ft.-in. - m)	187-9 / 196-10	57.2 / 60.1
Horizontal Reach (ft.-in.- m)	175-1 / 184-2	53.4 / 56.1
Net Horizontal Reach (ft.-in. - m)	162-6 / 171-9	49.5 / 52.3
Unfolding Height (ft.-in. - m)	48-5 / 51-9	14.8 / 15.8
Section Lengths		
First Section (ft.-in. - m)	34 / 34	10.4 / 10.4
Second Section (ft.-in. - m)	49 / 49	15 / 15
Third Section (ft.-in. - m)	47-3 / 50-7	14.4 / 15.4
Tip Section (ft.-in. - m)	44-10 / 50-7	13.6 / 15.4
Slewing Range (degrees)	370° / 370°	370° / 370°
End hose length (ft. - m)	12 / 10	3.6 / 3

Specifications are subject to change without prior notice.



S 58 SX / S 61 SX (Dimensions shown apply to Mack truck mounted units and may vary unit to unit or for other makes and models of trucks.)



SCHWING-STETTER MOVES CONCRETE. **WORLDWIDE.**

Wherever concrete is produced and moved is where you will find Schwing-Stetter machinery.

With plants in Germany, Austria, USA, Brazil, Russia, China and India as well as with more than 100 sales and service facilities, the group of companies is always close to the customer.

Our wide range of products with something for every application is what makes Schwing-Stetter the No. 1 system supplier for concrete machinery worldwide.



CONCRETE BATCHING PLANTS



TRUCK MIXERS



TRUCK-MOUNTED CONCRETE PUMPS



STATIONARY CONCRETE PUMPS



SEPARATE PLACING BOOMS



CONCRETE RECYCLERS

11/08 - 3M



5900 Centerville Road | St. Paul, MN 55127 | TEL 1-888-SCHWING
FAX 651-429-3464 | www.schwing.com